

# Integrated **steering angle sensor** systems

BPW has developed an integrated solution for **steering angle sensor systems**. Designed specifically for the **AGRO Turn** and the **GS(H)LL 14010 steering axles**, these innovative sensors provide you with a complete range of applications including electronic positive steering systems.

This solution gives you the highest functional reliability and robustness in a compact and protected installation position.

The brands of the BPW Group:



**we think transport**



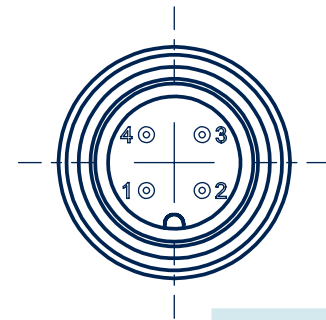
# BPW offers two optional sensors for its products

Features and benefits	
› Sensor system pre-installed	› High reliability
› Easy set up of steering angle	› Long lifetime
› Closed solution protecting against dust and oil	› Optimised for BPW steering axles

## MOBIL ELEKTRONIK sensor

- ✓ Ready to use with “MOBIL ELEKTRONIK” electronic steering system
- ✓ Dual outputs for safety critical applications.
- ✓ Easy setup
- ✓ Easy reference point alignment

General data	
Supply voltage:	9V ... 34V
Current consumption:	max. 25 mA
Output current per channel (up to mass):	max. 1 mA ( $\leq 0,05$ mA for specified accuracy)
Output voltage range:	0,25 V ... 4,75 V
Measuring range:	2x 90° ( $0^\circ \pm 45^\circ$ für 2,5 V $\pm$ 2,25 V)
Repeat accuracy:	$\leq 0,1^\circ$ in case of backlash-free and central positioning on the installation side
Housing:	IP6K6K / IP6K8 (1m;12h) / IP6K9K
Connector plug:	IP6K7 in plugged position with suitable mating plug
Temperature range:	-30°C ... +80°C
Cable length:	2,0 m



4-pole round plug connector M13x1 (male)

PIN1	+UB
PIN2	OUT B
PIN3	GND
PIN4	OUT A

Sales folder speed sensor 2017-002-ENG

## ELOBAU sensor

- ✓ Normal sensor (single output)
- ✓ Dual outputs for safety critical applications
- ✓ Easy setup
- ✓ Customized ELOBAU sensors are available (minimum order quantities are 25 axles/year)